



5 Gallon /19 Litre Stainless Steel Vacuum
Aspirateur De Déchets Liquides Et Solides, 5 Gallons /19 Litre
Aspiradora En Seco Y Húmedo De Acero Inoxidable
De 5 Galones /19 Litro

**OPERATOR'S MANUAL/MANUEL DU PROPRIÉTAIRE/ MANUAL
DEL USUARIO**

ONE YEAR LIMITED WARRANTY
GARANTIE LIMITÉE D'UN AN
GARANTÍA LIMITADA DE UN AÑO



Questions, problems, missing parts? Before returning to the store,
Call Trademark Industries Customer Service
8a.m. – 6p.m., EST, Monday to Friday **1-855-392-0644**

Questions, problems, pieces manquantes? Avant de retourner au magasin,
Appelez le Service clientele de Trademark Industries
entre 8h et 18h, Heure de l'Est, du lundi au vendredi **1-855-392-0644**

¿Preguntas, problemas, piezas faltantes? Antes de regresar a la tienda,
llame al Servicio a los Clientes de Trademark Industries
entre las 8:00 a.m. – 6:00p.m., Hora del Este, de lunes a viernes, **1-855-392-0644**

IMPORTANT: READ THIS OPERATOR'S MANUAL BEFORE USING!
IMPORTANT: LIRE CE MANUEL AVANT D'UTILISER L'APPAREIL!
**IMPORTANTES: LEA TODAS LAS INSTRUCCIONES ANTES DE
USAR SU ASPIRADORA**

Made In China/Fabriqué En Chine/Hecho en China

IMPORTANT SAFETY INSTRUCTIONS

SAVE THESE INSTRUCTIONS FOR HOUSEHOLD USE ONLY

READ ALL INSTRUCTIONS BEFORE USING YOUR VACUUM CLEANER

Read and understand all instructions and labels before using this vacuum. Safety is a combination of common sense, staying alert and knowing how your vacuum works. Use this vacuum only as described in this manual. To reduce the risk of personal injury or damage to your vacuum, use only Kubota recommended accessories.

WARNING: DO NOT LEAVE VACUUM UNATTENDED WHEN IT IS PLUGGED IN AND/OR OPERATING. UNPLUG UNIT WHEN NOT IN USE.

DANGER!

NEVER OPERATE THIS UNIT WHEN FLAMMABLE MATERIALS OR VAPORS ARE PRESENT BECAUSE ELECTRICAL DEVICES PRODUCE ARCS OR SPARKS THAT CAN CAUSE A FIRE OR EXPLOSION.

NEVER OPERATE UNATTENDED!

WARNING:

ALWAYS DISCONNECT THE PLUG FROM THE WALL OUTLET BEFORE REMOVING THE TANK COVER.

WARNING:

ALWAYS WEAR EYE PROTECTION TO PREVENT ROCKS OR DEBRIS FROM BEING BLOWN OR RICOCHETING INTO THE EYES OR FACE WHICH CAN RESULT IN SERIOUS INJURY.

WARNING: When using an electrical appliance, basic safety precautions should always be followed, including the following:

1. Do not leave appliance when plugged in. Unplug from outlet when not in use and before servicing.
2. Do not allow to be used as a toy. Close attention is necessary when vacuum is in use by or near children.

3. Use only as described in this manual. Use only manufacturer's recommended attachments.
4. Do not use with a damaged cord, plug, other parts. If your vacuum is not working as it should, has missing parts, has been dropped, damaged, left outdoors, or dropped into water, call customer service.
5. Sparks inside the motor can ignite flammable vapors or dust. To reduce the risk of fire or explosion, do not use near combustible liquids, gases, dusts, gasoline or other fuels, lighter fluid, cleaners, oil-based paints, natural gas, coal dust, magnesium dust, grain dust, aluminum dust, or gun powder.
6. Do not pull or carry by cord, use cord as a handle, close a door on cord, or pull cord around sharp edges or corners.
7. Do not unplug by pulling on cord. To unplug, grasp the plug.
8. Do not handle plug or appliance with wet hands.
9. Do not put any object into ventilation openings. Do not vacuum with any ventilation openings blocked; keep free of dust, lint, hair, or any thing that can reduce air flow.
10. Keep hair, loose clothing, fingers, and all parts of body away from openings and moving parts.
11. Turn off the control before unplugging.
12. Use extra care when cleaning on stairs.
13. Do not use to pick up flammable or combustible liquids such as gasoline or use in areas where they may be present.
14. Do not pick up anything that is burning or smoking, such as cigarettes, matches, or hot ashes.
15. Do not use without dust bag and/or filters in place.
16. Look on your vacuum and follow all label and marking instructions.
17. Keep end of hose, wands and other openings away from your face and body.
18. Always unplug this appliance before connecting or disconnecting vacuum hose.
19. Store the vacuum indoors. Put the vacuum away after use to prevent tripping accidents.
20. Using improper voltage may result in damage to the motor and possible injury to the user. Correct voltage is listed on the rating label.
21. Do not use for any purpose other than described in this user's guide.
22. If the cleaner is damaged, it must be repaired by the manufacturer, its service agent, or a similarly qualified person in order to avoid a hazard.
23. Do not run appliance over cord.
24. Keep cord away from heated surfaces.

25. Do not pull or carry by the cord, use the cord as a handle, close a door on the cord, or pull the cord around sharp edges or corners. Keep the cord away from heated surfaces. Do not run the vacuum over the cord.
26. Use only extension cords that are rated for outdoor use. Extension cords in poor condition or too small in wire size can pose fire and shock hazards. To reduce the risk of these hazards, be sure the cord is in good condition and that the liquid does not contact the connection. Do not use an extension cord with conductors smaller than 16 gauge (AWG) in size. To reduce power loss, use a 14 gauge extension cord if 25-50 ft /300-600 in /7.6-15.24m long and 12 gauge for 50 ft /600 in /15.24m or longer.

In the presence of any damages to the device, contact customer service. Failures resulting from improper use, failure to follow instructions in the instruction manual, or damage caused by improper repairs performed by third parties are not covered by warranty. This also applies to the wear of the components such as the filter.

LIMITED 1-YEAR WARRANTY

We take pride in producing a high quality, durable product. This Kubota product carries a limited one (1) year warranty against defects in workmanship and materials from date of purchase under normal household use. If the product is to be used for commercial, industrial, or rental use, a 60 day limited warranty will apply. This warranty does not apply to defects due to direct or indirect abuse, negligence, misuse, accidents, repairs, alterations or lack of maintenance. Please keep your receipt as proof of purchase.

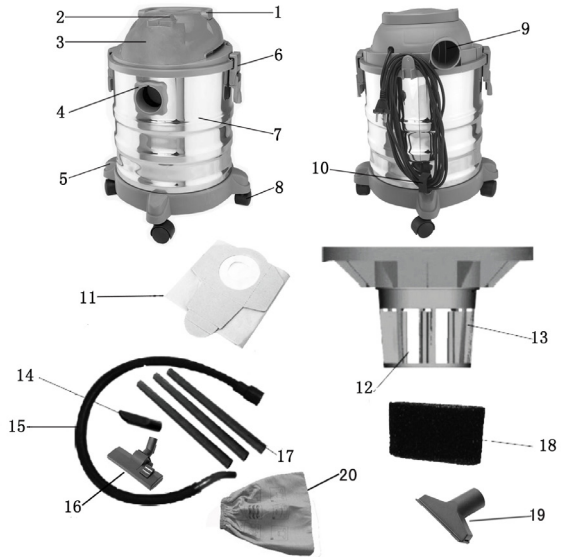
Contact Customer Service at 1-855-392-0644

INTENDED USE

This vacuum is intended for household use. It may be used for light vacuuming of wet or dry media. The light weight design allows usage for most small household vacuuming chores. Familiarize yourself with the following product features and read the entire operator's manual for the specific usage of your new wet/dry vac.

COMPONENTS

1. Handle
2. ON/OFF switch
3. Top section
4. Suction mouth
5. Pedestal
6. Clasp
7. Container
8. Rollers
9. Blow connection
10. Cord hook
11. Paper dustbag
12. Filter basket
13. Safety float valve
14. Crevice nozzle
15. Hose
16. Big brush
17. Plastic tubes
18. Sponge filter
19. Sofa brush
20. Non-woven bag



TECHNICAL DATA

Rated Voltage: 120V
Normal Frequency: 60Hz
Rated Power: 850W
Capacity: 5 Gallon
Vacuity: 13Kpa
Model: EC815-20L
Conforms to UL STD.1017
Certified to CSA STD.C22.2 NO.243-10

DOUBLE INSULATION INSTRUCTIONS

This Wet/Dry is double-insulated, eliminating the need for a separate grounding system. Use only identical replacement parts. Read the instructions for Servicing Double-Insulated Wet/Dry Vacs before servicing. Use this Wet/Dry Vac as described in this manual. Observe the following warnings that appear on the motor housing of your Wet/Dry Vac.




DOUBLE INSULATED – GROUNDING NOT REQUIRED – WHEN SERVICING USE ONLY IDENTICAL REPLACEMENT PARTS.

WARNING: TO REDUCE THE RISK OF ELECTRIC SHOCK-DO NOT EXPOSE TO RAIN. STORE INDOORS.

WARNING: FOR YOUR OWN SAFETY, READ AND UNDERSTAND OPERATOR'S MANUAL. DO NOT RUN UNATTENDED. DO NOT PICK UP HOT AHSES, COALS, TOXIC, FLAMMABLE OR OTHER HAZARDOUS MATERIALS, DO NOT USE AROUND EXPLOSIVE LIQUIDS OR VAPORS.

CAUTION: Do not vacuum drywall dust or fireplace soot or ash with standard Wet/Dry filter. This is a very fine dust which will not be captured by the filter and may cause damage to motor. When vacuuming fine dust use a fine dust filter (sold separately).

WARNING:
SERVICING OF DOUBLE-INSULATED WET/DRY VACUUM

WITH A DOUBLE-INSULATED WET/DRY VACUUM, TWO SYSTEMS OF INSULATION ARE PROVIDED INSTEAD OF GROUNDING. NO GROUNDING MEAN IS PROVIDED ON A DOUBLE-INSULATED APPLIANCE, NOR SHOULD A MEANS FOR GROUNDING BE ADDED. SERVICING A DOUBLE-INSULATED WET/DRY VACUUM REQUIRES EXTREME CARE AND KNOWLEDGE OF THE SYSTEM AND SHOULD BE DONE ONLY BY QUALIFIED SERVICE PERSONNEL. REPLACEMENT PARTS FOR A DOUBLE-INSULATED WET/DRY VAC IS MARKED WITH THE WORDS 'DOUBLE INSULATED' AND THE SYMBOL  (SQUARE WITHIN A SQUARE) MAY ALSO BE MARKED ON THE APPLIANCE.

- To reduce the risk of electric shock-unplug before cleaning or servicing.
- DO NOT use without filters in place.

CAUTION: TO REDUCE THE RISK OF INJURY FROM MOVING PARTS-UNPLUG BEFORE SERVICING.

EXTENSION CORDS

When using the appliance at distance where an extension cord becomes necessary, a 2-conductor cord of adequate size must be used for safety, and to prevent loss of power and overheating. Use **Table A** to determine A.W.G. wire size required. To determine ampere rating of your vacuum, refer to nameplate located on motor housing. Before using appliance, inspect power cord for loose or exposed wires and damaged insulation. Make any needed repairs or replacements before using your appliance. Use only two-wire outdoor extension cords, which have two-prong plugs and two-pole receptacles which accept the extension cords plug. When vacuuming liquids, be sure the extension cord connection does not come in contact with the liquid.

NOTE: STATIC SHOCKS ARE COMMON IN DRY AREAS OR WHEN THE RELATIVE HUMIDITY OF THE AIR IS LOW. THIS IS ONLY TEMPORARY AND DOES NOT AFFECT THE USE OF THE APPLIANCE. TO REDUCE THE FREQUENCY OF STATIC SHOCKS IN YOUR HOME, THE BEST REMEDY IS TO ADD MOISTURE TO THE AIR WITH A CONSOLE OR INSTALLED HUMIDIFIER.

TABLE A					
Volts		Total Length of Cord in Feet			
110V-120V		25	50	100	150
Ampere Rating		AWG			
More than	Not more than				
0	— 6	18	16	16	14
7	— 10	18	16	14	12
11	— 12	16	16	14	12
13	— 16	14	12	Not Recommended	

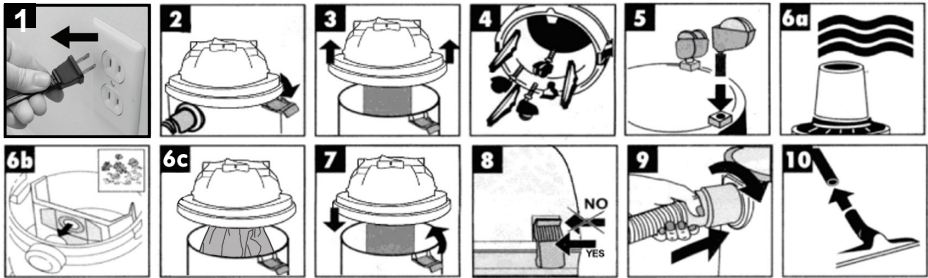
POLARIZED PLUG

To reduce the risk of electrical shock, this appliance has a double polarized plug (one with the blade wider than the other). This plug will fit in a polarized outlet only one way. If the plug does not fit fully in the outlet, reverse the plug. If it still does not fit, contact a qualified electrician to install the proper outlet. Do not change the plug in any way. Double insulation eliminates the need for the two wire grounded power cord and grounded power supply system.

OVERVIEW OF NOZZLES



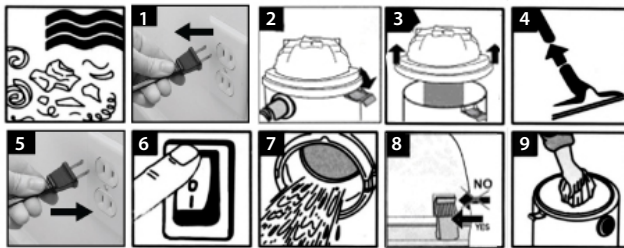
ASSEMBLY-Preparing the Vacuum for Assembly



1. Verify that the power cord is disconnected from the outlet.
2. Undo the latches.
3. Lift the power head off the dust drum.
4. Remove the contents of the tank.
5. Insert the wheel stem into the socket of the caddy as shown. Push on the wheel until the ball on the wheel stem is inserted all the way into the socket. Turn the dust drum upright.
6. **a.Wet vacuum cleaning:** Pull the supplied sponge filter over the filter basket.
b.Dry vacuum cleaning: Slip the paper dustbag onto the suction port.
c.Dry vacuum cleaning: Pull the supplied non-woven bag over the filter basket for dry vacuum cleaning.
7. Place the power head assembly on top of the dust drum. Ensure the power head assembly completely covers the top of the dust drum so leakage does not occur. To remove the power head assembly, reverse these directions.
8. Pull down latches to lock.
9. Insert the larger end of the hose into the vacuum port. Turn the hose connector.
10. Connect the tube into the floor brush/sofa brush and it is ready to use.

WARNING: ALWAYS DISCONNECT THE PLUG FROM THE WALL OUTLET BEFORE REMOVING THE TANK COVER.

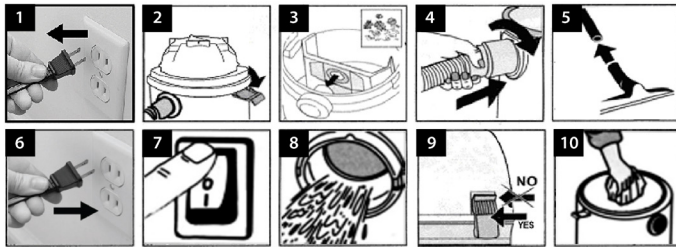
WET VACUUM - CLEANING



1. Verify that the power cord is disconnected from the outlet.
2. Loosen the locking latches.
3. Pull the supplied sponge filter over the filter basket for wet vacuum cleaning, then pull down clips on the cover to lock.
4. Insert the suction hose in the hole on the side of the tank, turn the hose connector, and connect the tube into the floor brush.
5. Insert the plug into the outlet.
6. Press the switch button and the vac will begin to work.
7. While in use you notice the bin is full resulting in significant decreases in suction power, remove the plug from the electrical outlet and clean the drum.
8. Unhook the two latches.
9. Remove the power head from the dust drum and remove filter.

WARNING: ALWAYS DISCONNECT THE PLUG FROM THE WALL OUTLET BEFORE REMOVING THE TANK COVER.

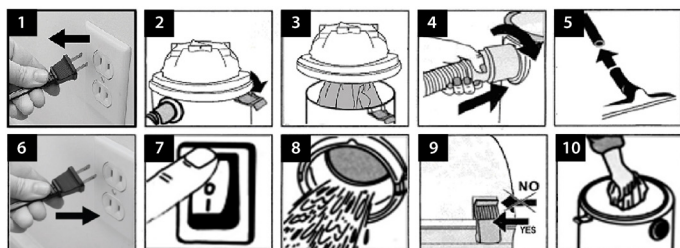
DRY VACUUM - CLEANING - PAPER DUSTBAG



1. Verify that the power cord is disconnected from the outlet.
2. Loosen the locking latches.
3. Pull the supplied paper dustbag on the suction mouth for dry vacuum cleaning.
4. Insert the suction hose in the hole on the side of the tank. Turn the hose connector.
5. Connect tube into the floor brush and tighten locking latches on the cover.
6. Insert the plug into the socket.
7. Press the switch button and the vac will begin to work.
8. While in use you notice the bin is full resulting in significant decreases in suction power, remove the plug from the electrical outlet and clean the drum.
9. Unhook the two latches.
10. Remove the power head from the dust drum and remove filter.

WARNING: ALWAYS DISCONNECT THE PLUG FROM THE WALL OUTLET BEFORE REMOVING THE TANK COVER.

DRY VACUUM - CLEANING - NON-WOVEN BAG



1. Verify that the power cord is disconnected from the outlet.
2. Loosen the locking latches.
3. Pull the supplied non woven bag over the filter basket for dry vacuum cleaning.
4. Insert the suction hose in the hole on the side of the tank. Turn the hose connector.
5. Connect tube into the floor brush and tighten locking latches on the cover.
6. Insert the plug into the socket.
7. Press the switch button and the vac will begin to work.
8. While in use you notice the bin is full resulting in significant decreases in suction power, remove the plug from the electrical outlet and clean the drum.
9. Unhook the two latches.
10. Remove the power head from the dust drum and remove filter.

WARNING: ALWAYS DISCONNECT THE PLUG FROM THE WALL OUTLET BEFORE REMOVING THE TANK COVER.

BLOWING



This Wet/Dry Vac has blowing capabilities. To use the blower feature follow the instructions listed.

1. Verify that the power cord is disconnected from the outlet.
2. Make sure the container is empty before using as a blower. Remove hose from the vacuum port.
3. Insert the large end of the hose into the blowing port on the back side of the power head and secure in position. Fit the desired extension wand and/or nozzle to the vacuum hose.
4. Verify that the switch is in the 'O' (OFF) position before plugging the power cord into the outlet.
5. Insert the plug into the socket.
6. Before turning on the vac, firmly hold loose end of the hose. Turn the motor on by flipping the switch to the 'I' (ON) position.

WARNING: ALWAYS WEAR SAFETY GOGGLES COMPLYING WITH ANSI Z87.1 (OR IN CANADA, CSAZ94.3) BEFORE USING BLOWER.

WARNING: KEEP BYSTANDERS CLEAR FROM BLOWING DEBRIS.

WARNING: WEAR A DUST MASK IF BLOWING CREATES DUST THAT MIGHT BE INHALED.

MAINTENANCE

- 1. Filter Cleaning:** Your filter should be cleaned often to maintain peak Vac performance. Allow the filter to dry before storing or picking up dry debris.
- 2. Cleaning a Dry Filter:** Some removal of dry debris can be accomplished without removing the filter from the Vac. For best cleaning results due to accumulated dust, clean the filter in an open area. Clean the filter outdoors and not in the living quarters. After filter removal from the Vac, remove the dry debris by gently tapping the filter against the inside wall of the dust drum. The debris will loosen and fall. For thorough cleaning of a dry filter with fine dust (no debris), run water through it as described under “Cleaning a Wet Filter”
- 3. Cleaning a Wet Filter:** After the filter is removed, run water through the filter from a hose. Take care that water pressure from the hose is not strong enough to damage the filter.
- 4. Filter Replacement:** Allow the filter to dry before reinstalling and storing the Vac or picking up dry debris.

CLEANING

- 1.To keep your Wet/Dry Vac looking its best, clean the outside with a cloth dampened with warm water and mild soap.
- 2.To clean the drum:
 - a.Dump debris out
 - b.Wash the drum thoroughly with warm water and mild soap
 - c.Wipe out with a dry cloth

TROUBLESHOOTING

WARNING: TO REDUCE THE RISK OF ELECTRIC SHOCK- UNPLUG BEFORE TROUBLESHOOTING.

SYMPTOM	POSSIBLE CAUSES	CORRECTIVE ACTION
Vacuum will not operate	No power supply.	Check power supply-cord, breakers, fuses.
	Faulty power cord.	Unplug and check the power cord. If damaged, have it repaired by a professional.
	Container full.	Empty container.
Dust comes out from motor cover.	The Reusable cloth filter is missing or damaged.	Attach or replace the reusable cloth filter.
Reduced efficiency and motor/speed vibration.	There is a blockage in the nozzle, hose, or the vacuum inlets. Or the reusable cloth filter is blocked by fine dust.	Check nozzle, hose and inlets for blockage. Take off the filter and clean it. Or install new filter.



ONE YEAR LIMITED WARRANTY
GARANTIE LIMITÉE D'UN AN
GARANTÍA LIMITADA DE UN AÑO

1-855-392-0644
Trademark Industries Inc.

CONSIGNES IMPORTANTES DE SÉCURITÉ

CONSERVEZ CES INSTRUCTIONS POUR UN USAGE DOMESTIQUE SEULEMENT

LISEZ TOUTES LES DIRECTIVES AVANT D'UTILISER L'ASPIRATEUR.

Lire et comprendre toutes les instructions étiquettes avant l'utilisation de cet aspirateur. La sécurité est une combinaison de faire preuve de bon sens, rester vigilant et savoir comment votre aspirateur de poussières fonctionne. N'utilisez l'aspirateur que comme cela est décrit dans ce mode d'emploi. Pour réduire le risque de blessure ou le risque d'endommagement de l'aspirateur, n'utilisez que des accessoires recommandés par Kubota.

AVERTISSEMENT: NE LAISSEZ PAS L'ASPIRATEUR SANS SURVEILLANCE S'IL EST BRANCHÉ OU EN FONCTIONNEMENT. DÉBRANCHEZ L'APPAREIL LORSQU'IL N'EST PAS UTILISÉ.

DANGER!

Ne faites jamais fonctionner cet appareil en présence de matières ou de vapeurs inflammables car les dispositifs électriques produisent des arcs électriques ou des étincelles qui risquent de provoquer un incendie ou une explosion. **NE LAISSEZ JAMAIS L'APPAREIL EN FONCTIONNEMENT SANS SURVEILLANCE!**

AVERTISSEMENT

DÉBRANCHEZ TOUJOURS LA FICHE DE LA PRISE MURALE AVANT DE RETIRER LE COUVERCLE DU RÉSERVOIR.

AVERTISSEMENT

PORTEZ TOUJOURS UNE PROTECTION OCULAIRE POUR EMPÊCHER LES PIERRES OU LES DÉBRIS D'ATTEINDRE, PAR PROJECTION DIRECTE OU RICOCHET, LES YEUX OU LE VISAGE, CE QUI RISQUE DE SE SOLDER PAR DES BLESSURES GRAVES.

AVERTISSEMENT: Lors de l'utilisation de votre appareil électrique, certaines précautions élémentaires doivent toujours être suivies, y compris les points suivants:

1. Ne laissez pas l'appareil sans surveillance lorsqu'il est branché. Débranchez l'appareil de la prise lorsqu'il n'est pas utilisé et avant son entretien.
2. N'autorisez jamais l'utilisation de cet appareil à titre de jouet. Une étroite surveillance est requise lorsque cet appareil est utilisé par un enfant ou près d'un enfant.
3. Utilisez l'appareil uniquement pour les fonctions qui lui sont attribuées, conformément au présent manuel. Utilisez uniquement les accessoires recommandés par le fabricant.
4. N'utilisez pas l'appareil si le fil d'alimentation ou la prise de courant est endommagé. Si l'appareil ne fonctionne pas normalement, est tombé, a subi des dommages, a été laissé à l'extérieur ou est tombé dans l'eau, présentez-le à un contact service à la clientèle.
5. Des étincelles à l'intérieur du moteur risquent de mettre feu à des vapeurs ou poussières inflammables. Pour réduire le risque d'incendie ou d'explosion: n'aspirez pas et n'utilisez pas à proximité de gaz ou de liquides ou de poussières combustibles, comme de l'essence automobile ou d'autres fiouls, de l'essence à briquet, des produits de nettoyage, de la peinture à l'huile, du gaz naturel, de la poussière de charbon, de la poussière de magnésium, de la poussière de céréales de la poussière d'aluminium, ou de la poudre.
6. Ne tirez pas sur un fil ou un câble de l'appareil. N'utilisez pas un fil ou un câble de l'appareil pour le transporter. Ne fermez pas de porte sur un fil ou un câble de l'appareil et évitez de tirer un fil ou un câble de l'appareil sur un coin pointu.
7. Ne débranchez pas l'appareil en tirant sur le fil. Débranchez l'appareil.
8. Ne manipulez pas la prise ou l'appareil avec des mains mouillées.
9. N'insérez aucun objet dans les ouvertures. N'utilisez pas l'appareil si l'une des ouvertures est obstruée; enlevez la poussière, les peluches, les cheveux et tout autre débris pouvant diminuer la circulation d'air.
10. Tenez les cheveux, les vêtements amples, les doigts et toute autre partie du corps loin des ouvertures et des pièces mobiles de l'appareil.
11. Éteignez l'appareil avant de le débrancher.
12. Faites preuve d'une prudence particulière lorsque vous utilisez l'appareil dans des escaliers.

13. N'aspirez pas de liquides inflammables ou combustibles, comme du carburant, et n'utilisez pas l'appareil en présence de tels liquides.
14. N'aspirez aucune matière en combustion ou qui émet de la fumée, comme une cigarette, une allumette ou des cendres chaudes.
15. N'utilisez pas l'appareil sans d'abord avoir installé un filtre-éponge ou un sac à poussière, selon le type d'utilisation prévu.
16. Respectez toutes les consignes et tous les avertissements inscrits sur l'aspirateur.
17. Tenez le tuyau, les suceurs et les autres ouvertures de l'appareil loin de votre visage et du corps.
18. Débranchez toujours l'appareil avant d'installer ou d'enlever le tuyau d'aspiration.
19. Rangez l'aspirateur à l'intérieur. Rangez l'aspirateur après utilisation pour éviter de provoquer un accident (par exemple, quelqu'un qui tombe après avoir heurté l'appareil).
20. L'utilisation d'une tension incompatible peut endommager le moteur et possiblement entraîner des blessures. La tension recommandée est indiquée sur l'étiquette de caractéristique.
21. Utilisez l'appareil uniquement pour les fonctions qui lui sont attribuées conformément au présent guide de l'utilisateur.
22. Si l'aspirateur est endommagé, seuls le fabricant ou un réparateur autorisé doivent le réparer éviter toute situation dangereuse.
23. Ne faites pas rouler l'aspirateur sur son fil d'alimentation.
24. Maintenez le câble loin des surfaces chaudes.
25. Ne tirez pas l'aspirateur et ne le portez pas par son cordon, n'utilisez pas le cordon pour servir de poignée, ne fermez pas une porte sur le cordon et ne laissez pas le cordon tendu passer sur des bords ou des coins tranchants. Maintenez le cordon à distance des surfaces chauffées. Ne traînez pas l'aspirateur sur son cordon.
26. Utilisez seulement des cordons de rallonge qui sont conçus pour emploi à l'extérieur. Les cordons de rallonge en mauvais état ou trop petits en termes de calibre des fils peuvent poser des risques d'incendie et de choc électrique. Pour réduire le risque de tels dangers, inspectez les cordons pour vous assurer qu'ils sont en bon état et que le liquide n'entre pas en contact avec le raccordement. N'utilisez pas de cordons de rallonge dont les conducteurs ont un calibre inférieur à 16 AG. Pour réduire la perte de puissance, utiliser une rallonge de calibre 14 si 25-50 ft / 300-600 in / 7.6-15.24 m long et de calibre 12 pour 50 ft / 600 in / 15.24 m ou plus.

Si l'appareil est endommagé, communiquez avec le service à la clientèle. Tout défaut causé par une mauvaise utilisation, le non-respect d'une consigne ou instruction fournie dans le manuel d'instructions, ou tout dommage causé par une mauvaise réparation réalisée par une tierce partie ne sont pas couverts par la garantie. De plus, la garantie ne couvre pas l'usure normale de certaines composantes, notamment le filtre.

GARANTIE LIMITÉE D'UN AN

Nous sommes fiers de fabriquer un produit de haute qualité. Ce produit Kubota comporte une garantie limitée contre les défauts de fabrication et de matériaux d'un (1) an à compter de la date d'achat et dans le cadre d'une utilisation ménagère normale. Une garantie limitée de 60 jours s'appliquera si le produit est destiné à une utilisation abusive directe ou indirecte, à une mauvaise utilisation, à des accidents, à des réparations, modifications et à un manque d'entretien. Veuillez conserver votre reçu comme prévu d'achat.

Contactez service à la clientèle au 1-855-392-0644

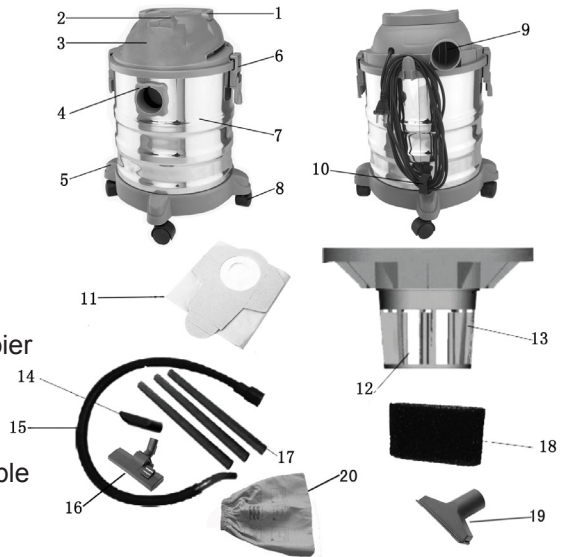
UTILISATION PREVUE

Cet aspirateur a été conçu pour une utilisation ménagère. Il peut être utilisé pour l'aspiration de débris humides ou secs. Sa conception légère lui permet d'être utilisé pour la plupart des travaux ménagers d'aspiration.

Familiarisez-vous avec les fonctions suivantes de ce produit, et lisez le mode d'emploi du début à la fin pour des détails spécifiques quant à l'utilisation de votre nouvel aspirateur de liquides et poussières.

ARTICLES FOURNIS

1. Poignée
2. Interrupteur ON/OFF (marche/arrêt)
3. Partie supérieure (dispositif d'aspiration)
4. Entrée de succion
5. Pied
6. Crochet de fixation
7. Réservoir
8. Roulettes
9. Prise pour soufflage
10. Crochet pour câble
11. Sac à poussière en papier
12. Panier du filtre
13. Clapet de non-retour
14. Petit suceur
15. Tuyau d'aspiration flexible
16. Grande brosse
17. Tube de plastique
18. Filtre-éponge
19. Brosse pour divan
20. Sac non tissé



CARACTÉRISTIQUES TECHNIQUES

Tension :	120 V
Fréquence normale :	60 Hz
Puissance :	850 W
Capacité :	5 gallons
Aspiration :	13 kPa
Modelè:	EC815-20L
Conforme à la norme UL 1017	
Certifié conforme à la norme CSA C22.2 NO.243-10	

DIRECTIVES À PROPOS DE LA DOUBLE ISOLATION

Cet aspirateur pour déchets humides/secs est doté d'une isolation double qui élimine la nécessité d'une mise à la terre séparée. N'utilisez que des pièces de rechange identiques. Lisez les directives d'entretien courant des aspirateurs pour déchets humides/secs avant d'en effectuer l'entretien. Utilisez cet aspirateur pour déchets humides/secs de la manière prescrite dans le présent guide. Observez les mises en garde ci-après inscrites sur le caisson moteur de votre aspirateur pour déchets humides/secs.



DOUBLE ISOLATION – MISE À LA TERRE NON REQUISE – POUR L'ENTRETIEN COURANT, N'UTILISEZ QUE DES PIÈCES DE RECHANGE IDENTIQUES.

AVERTISSEMENT: AFIN DE RÉDUIRE LE RISQUE DE CHOC ÉLECTRIQUE, NE PAS EXPOSER À LA PLUIE. ENTREPOSEZ À L'INTÉRIEUR.

AVERTISSEMENT: POUR VOTRE PROPRE SÉCURITÉ, LISEZ ET ASSIMILEZ LE MANUEL DE L'USAGER. NE LAISSEZ PAS EN MARCHÉ SANS SURVEILLANCE. NE RAMASSEZ PAS DE CENDRES, CHARBONS, MATIÈRES INFLAMMABLES OU AUTRES MATIÈRES DANGEREUSES, N'UTILISEZ PAS À PROXIMITÉ DE VAPEURS OU DE LIQUIDES EXPLOSIFS.

MISE EN GARDE : N'aspirez pas de cloison sèche de suie ou de cendre de foyer avec un filtre standard pour déchets humides/secs. Il s'agit d'une poussière extrêmement fine qui ne pourra être capturée par le filtre et qui pourrait endommager le moteur. Pour aspirer de la poussière fine, utilisez un filtre à particules fines (vendu séparément).

AVERTISSEMENT:
POUR L'ENTRETIEN COURANT D'UN ASPIRATEUR POUR DÉCHETS HUMIDES/SECS À DOUBLE ISOLATION

POUR L'ENTRETIEN COURANT D'UN ASPIRATEUR POUR DÉCHETS HUMIDES/SECS À DOUBLE ISOLATION AVEC UN ASPIRATEUR POUR DÉCHETS HUMIDES/SECS À DOUBLE ISOLATION, DEUX SYSTÈMES D'ISOLATION SONT UTILISÉS À LA PLACE D'UNE MISE À LA TERRE. AUCUNE MISE À LA TERRE N'EST PRÉSENTE SUR UN APPAREIL À DOUBLE ISOLATION, ET AUCUNE POSSIBILITÉ DE LE METTRE À LA TERRE NE DEVRAIT ÊTRE AJOUTÉE. L'ENTRETIEN COURANT D'UN

ASPIRATEUR POUR DÉCHETS HUMIDES/SECS REQUIERT DES PRÉCAUTIONS EXTRÊMES ET UNE CONNAISSANCE APPROFONDIE DU SYSTÈME ET NE DEVRAIT ÊTRE EFFECTUÉ QUE PAR DU PERSONNEL D'ENTRETIEN QUALIFIÉ. LES PIÈCES DE RECHANGE D'UN ASPIRATEUR POUR DÉCHETS HUMIDES/SECS À DOUBLE ISOLATION SONT MARQUÉES DES MOTS 'DOUBLE INSULATED' (À DOUBLE ISOLATION) ET LE SYMBOLE (UN CARRÉ DANS UN CARRÉ) PEUT ÉGALEMENT APPARAÎTRE SUR LE DISPOSITIF.

- Afin de réduire le risque de choc électrique, débranchez le dispositif avant de le nettoyer ou d'en faire l'entretien.
- NE PAS utiliser sans les filtres en place.

ATTENTION: AFIN DE RÉDUIRE LE RISQUE DE BLESSURE PAR LES PIÈCES MOBILES, DÉBRANCHEZ LE DISPOSITIF AVANT L'ENTRETIEN COURANT.

RALLONGES

Lorsque vous passez l'aspirateur à une distance qui nécessite l'utilisation d'une rallonge, vous devez utiliser un cordon de à 2 conducteurs de calibre adéquat pour assurer la sécurité et empêcher la perte de puissance et la surchauffe de l'appareil. Utilisez le **Tableau A** pour déterminer le calibre de fil AWG requis. Pour déterminer l'intensité nominale de votre appareil, reportez-vous à la plaque située sur le capot du moteur. Avant d'utiliser l'appareil, inspectez le cordon d'alimentation pour déceler les fils desserrés ou exposés et les re-placements nécessaires avant d'utiliser votre appareil. Utilisez uniquement les rallonges pour l'extérieur, à deux fils, munies de fiches de à deux broches et les prises de courant deux pôles qui acceptent la fiche de la rallonge. Lorsque vous utilisez votre aspirateur pour ramasser des liquides, assurez-vous que le branchement de la rallonge ne contacte pas le liquide.

REMARQUE: LES DÉCHARGES STATIQUES SONT COURANTES DANS LES ENDROITS SECS OU LORSQUE L'HUMIDITÉ RELATIVE DE L'AIR EST FAIBLE. IL S'AGIT DE CONDITIONS TEMPORAIRES QUI N'AFECTENT PAS L'UTILISATION DE L'APPAREIL. LA MEILLEURE SOLUTION POUR RÉDUIRE LA FRÉQUENCE DES DÉCHARGES STATIQUES DANS VOTRE MAISON CONSISTE À HUMIDIFIER L'AIR À L'AIDE D'UN HUMIDIFICATEUR À POSSEUR OU FIXE.

TABLEAU A					
Tension		Longueur totale de la rallonge, en pieds			
110V-120V		25	50	100	150
Intensité nominale		AWG			
Plus de	Pas plus de	Calibre américain normalisé des fils			
0	— 6	18	16	16	14
7	— 10	18	16	14	12
11	— 12	16	16	14	12
13	— 16	14	12	Not Recommandé	

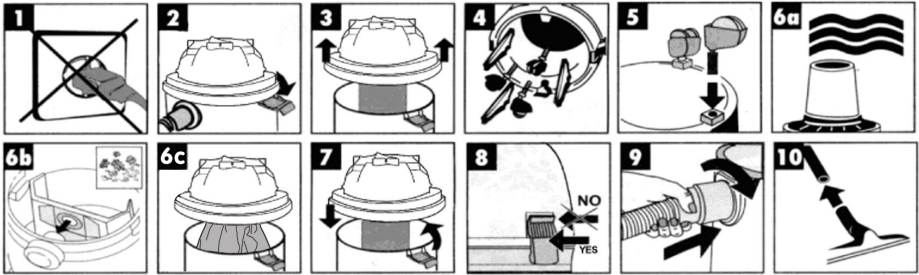
FICHE POLARISÉE

Afin de réduire le risque de choc électrique, cet appareil est doté d'une fiche polarisée à deux broches (une broche plus large que l'autre). Cette fiche ne s'insère que d'une seule façon dans une prise de courant polarisée. Si la fiche ne s'insère pas au fond dans la prise, inversez-la. Si elle ne s'insère toujours pas, contactez un électricien qualifié pour installer la prise de courant adéquate. Ne modifiez la fiche d'aucune façon. L'isolation double élimine la nécessité d'un cordon d'alimentation à deux fils avec mise à la terre et une alimentation électrique avec mise à la terre.

APERÇU DES SUCEURS



ASSEMBLAGE-Préparation de l'aspirateur pour l'assemblage

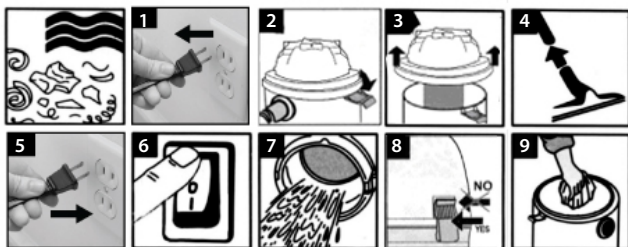


1. Vérifiez si le cordon d'alimentation est débranché de la prise de courant.
2. Détachez les attaches.
3. Soulevez le couvercle de moteur du contenant à poussière.
4. Videz le contenu du réservoir.
5. Insérer la tige de roue à l'intérieur du réceptacle de chariot, comme illustré. Appuyez sur la roue jusqu'à ce que la boule de la tige de roue soit insérée complètement dans le réceptacle. Remettez le contenant à poussière dans le bon sens
- 6
 - a. Aspiration humide: Installez le filtre-éponge fourni sur le panier du filtre.
 - b. Aspiration de déchets solides: Glissez le sac à poussière en papier sur l'entrée d'aspiration.
 - c. Installez le sac non tissé fourni sur le panier du filtre pour l'aspiration de déchets solides.
7. Placez l'ensemble moteur sur le dessus du contenant à poussière. Assurez-vous que l'ensemble moteur recouvre entièrement le contenant à poussière de sorte qu'il n'y ait pas de fuite. Pour enlever l'ensemble moteur, faites l'inverse de ces instructions.
8. Poussez sur les crochets de fixation pour verrouiller.
9. Insérez l'extrémité la plus large du tube dans l'ouverture de l'appareil. Tournez le raccord de tube.
10. Insérez le tube dans la brosse à plancher/sofa et l'appareil est prêt à utiliser.

AVERTISSEMENT

DÉBRANCHEZ TOUJOURS LA FICHE DE LA PRISE MURALE AVANT DE RETIRER LE COUVERCLE DU RÉSERVOIR.

ASPIRATION DE DÉCHETS HUMIDE



1. Vérifiez si le cordon d'alimentation est débranché de la prise de courant.
2. Détachez les attaches.
3. Retirez le filtre éponge fourni sur le panier filtre pour le nettoyage par aspirateur de liquides. Tirez ensuite les fixations vers le bas du couvercle pour verrouiller.
4. Insérez le tuyau d'aspiration dans le trou sur le côté du réservoir. Tournez le raccord de tuyau, et reliez le tube dans la brosse à plancher.
5. Insérez la fiche dans la prise.
6. Appuyez sur le bouton de marche pour faire fonctionner l'appareil.
7. Pendant l'utilisation vous remarquerez que le contenant est plein s'il y a une baisse de puissance d'aspiration. Retirez la fiche de la prise électrique et nettoyez le contenant.
8. Détachez les deux fixations.
9. Enlevez l'ensemble moteur du contenant à poussière et retirez le filtre.

AVERTISSEMENT

DÉBRANCHEZ TOUJOURS LA FICHE DE LA PRISE MURALE AVANT DE RETIRER LE COUVERCLE DU RÉSERVOIR.

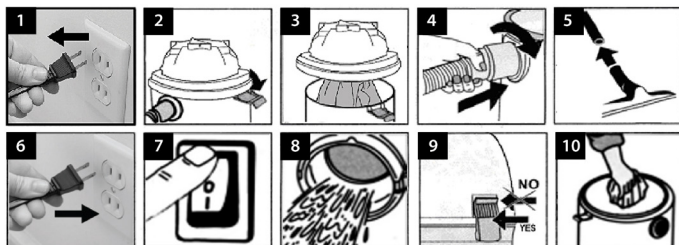


1. Vérifiez si le cordon d'alimentation est débranché de la prise de courant.
2. Détachez les crochets de fixation.
3. Mettez le sac à poussière en papier fourni sur le bec d'aspiration pour le nettoyage par aspirateur sec.
4. Insérez le tuyau d'aspiration dans le trou sur le côté du réservoir. Tournez le raccord de tuyau.
5. Reliez le tube à la brosse de plancher et resserrez les crochets de fixation sur le couvercle.
6. Insérez la fiche dans la prise.
7. Appuyez sur le bouton de marche pour faire fonctionner l'appareil.
8. Pendant l'utilisation vous remarquerez que le contenant est plein s'il y a une baisse de puissance d'aspiration. Retirez la fiche de la prise électrique et nettoyez le contenant.
9. Détachez les deux fixations.
10. Enlevez l'ensemble moteur du contenant à poussière et retirez le filtre.

AVERTISSEMENT

DÉBRANCHEZ TOUJOURS LA FICHE DE LA PRISE MURALE AVANT DE RETIRER LE COUVERCLE DU RÉSERVOIR.

ASPIRATION DE DÉCHETS SOLIDES - SAC NON TISSÉ



1. Vérifiez si le cordon d'alimentation est débranché de la prise de courant.
2. Détachez les crochets de fixation.
3. Mettez le sac non tissé fourni sur le panier filtre pour le nettoyage par aspirateur sec, et attachez les crochets de fixation sur le couvercle.
4. Insérez le tuyau d'aspiration dans le trou sur le côté du réservoir. Tournez le raccord de tuyau.
5. Reliez le tube à la brosse de plancher et resserrez les crochets de fixation sur le couvercle.
6. Insérez la fiche dans la prise.
7. Appuyez sur le bouton de marche pour faire fonctionner l'appareil.
8. Pendant l'utilisation vous remarquerez que le contenant est plein s'il y a une baisse de puissance d'aspiration. Retirez la fiche de la prise électrique et nettoyez le contenant.
9. Détachez les deux fixations.
10. Enlevez l'ensemble moteur du contenant à poussière et retirez le filtre.

AVERTISSEMENT

DÉBRANCHEZ TOUJOURS LA FICHE DE LA PRISE MURALE AVANT DE RETIRER LE COUVERCLE DU RÉSERVOIR.

SOUFFLAGE



Cet aspirateur pour déchets humides/secs possède la capacité de souffler. Pour utiliser la fonction de soufflage, suivez les directives répertoriées cidessous

1. Vérifiez si le cordon d'alimentation est débranché de la prise de courant.
2. Assurez-vous que le conteneur est vide avant de l'utiliser pour la fonction soufflage.
Retirez le boyau de l'orifice d'aspiration.
3. Insérez la grosse extrémité du boyau dans l'orifice de soufflage à l'arrière de l'ensemble moteur et assujettissez-le en position. Installez la rallonge ou la buse désirée au tuyau d'aspirateur.
4. Assurez-vous que l'interrupteur est à la position hors tension 'O' (OFF) avant d'insérer le cordon d'alimentation dans la prise de courant.
5. Insérez la fiche dans la prise.
6. Avant de démarrer l'aspirateur, tenez fermement l'extrémité libre du boyau. Démarrez le moteur en basculant l'interrupteur à la position 'I' (ON).

AVERTISSEMENT: PORTEZ TOUJOURS DES LUNETTES DE SÉCURITÉ CONFORMES À LA NORME ANSI Z87.1 (OU AU CANADA, CSAZ94.3) AVANT D'UTILISER LA FONCTION DE SOUFFLAGE.

AVERTISSEMENT: TENEZ LES OBSERVATEURS À DISTANCE DES DÉBRIS DE SOUFFLAGE.

AVERTISSEMENT: PORTEZ TOUJOURS UN MASQUE ANTIPOUSSIÈRES SI LE SOUFFLAGE CRÉE UNE POUSSIÈRE POUVANT ÊTRE INHALÉE.

ENTRETIEN

1. Nettoyage du filtre: Il faut nettoyer souvent le filtre pour ne pas affecter la performances optimale de l'aspirateur. Sécher toujours le filtre avant de le ranger ou de ramasser des débris secs .

2. Nettoyage d'un filtre à sec: Le retrait de certains secs peut être accompli sans enlever le filtre de l' aspirateur . Pour obtenir les meilleurs résultats lors du nettoyage apres l'accumulation de poussière, nettoyer le filtre dans un endroit non clos. Nettoyez le filtre à l'extérieur et non dans une maison ou un appartement. Après avoir retiré le filtre de l' aspirateur , retirer les débris secs, en tapotant doucement le filtre contre la paroi intérieure du tambour à poussière . Les débris se détacheront et tomberont . Pour effectuer un nettoyage complet du filtre sec lorsqu'il est couvert de particules très fines (pas de débris) , faire couler l'eau à travers le filtre comme indiqué sous la rubrique « Nettoyage d'un filtre humide »

3. Nettoyage d'un filtre humide: Une fois le filtre retiré , faites couler l'eau au travers du filtre à l'aide d'un tuyau d'arrosage ou d'un robinet. Veillez à ce que la pression de l'eau du sortant du tuyau d'arrosage ne soit pas si forte qu'elle pourrait endommager le filtre.

4. Remplacement du filtre: Laisser sécher le filtre avant de le réinstaller, de ranger l'aspirateur ou de ramasser des débris secs .

NETTOYAGE

1. Pour conserver l'esthétique optimale de votre aspirateur de poussières et de liquides, nettoyez la surface extérieure de l'aspirateur à l'aide d'un chiffon imbibé d'eau tiède savonneuse.

2. Procédure de nettoyage du tambour:

a. Vider les débris

b. Nettoyez soigneusement le tambour à poussière à l'aide d'un savon doux et d'eau tiède

c. Essuyer avec un chiffon sec

DÉPANNAGE

AVERTISSEMENT! AFIN DE RÉDUIRE LE RISQUE DE CHOC ÉLECTRIQUE, DÉBRANCHEZ L'APPAREIL AVANT DE PROCÉDER AU DÉPANNAGE.

SYMPTÔME	CAUSES POSSIBLES	ACTION CORRECTIVE
L'aspirateur refuse de fonctionner.	Aucune alimentation électrique.	Vérifiez l'alimentation électrique: cordon, disjoncteurs, fusibles.
	Cordon d'alimentation défectueux.	Débranchez et vérifiez le cordon d'alimentation. S'il est endommagé, faites-le réparer par un professionnel.
	Conteneur plein.	Videz le conteneur.
La poussière sort du couvercle de moteur.	Le filtre en tissu réutilisable est absent ou endommagé.	Attachez ou remplacez le filtre en tissu réutilisable.
Efficacité réduite / vibration rapide du moteur.	Il y a quelque chose de bloqué dans la buse, le boyau ou les orifices de l'aspirateur. Ou le filtre en tissu réutilisable est bloqué par des particules fines	Vérifiez la buse, le boyau et les orifices pour les blocages. Enlevez le filtre et nettoyez-le. Ou installez un nouveau filtre.

INSTRUCCIONES IMPORTANTES DE SEGURIDAD

CONSERVE ESTAS INSTRUCCIONES PARA USO DOMÉSTICO SOLAMENTE

LEA TODAS LAS INSTRUCCIONES ANTES DE USAR SU ASPIRADORA

Lea y comprenda todas las instrucciones y etiquetas antes de usar esta aspiradora. La seguridad es una combinación de sentido común, permanecer alerta y saber como funciona su aspiradora. Use esta aspiradora solamente como se describe en este manual. A fin de reducir el riesgo de lesiones personales o daño a su aspiradora, utilice solamente los accesorios Kubota recomendados.

ADVERTENCIA: NO DEJE DESATENDIDA LA ASPIRADORA CUANDO ESTÉ ENCHUFADA Y/O EN FUNCIONAMIENTO. DESENCHUFE LA ASPIRADORA CUANDO NO ESTÉ EN USO.

PELIGRO!

JAMÁS OPERE ESTE APARATO CUANDO LOS MATERIALES FLAMMABLES O VAPORES ESTÁN PRESENTES PORQUE LOS APARATOS ELÉCTRICO PRODUCEN LOS ARCOS O LAS CHISPAS QUE PUEDEN CAUSAR INCENDIO O UNA EXPLOSIÓN.

¡ JAMÁS DEJAR DESATENDIDO!

ADVERTENCIA:

DESCONECTE SIEMPRE LA TOMA DEL CARTUCHO MURAL ANTES DE QUITAR LA TAPA DE CISTERNA.

ADVERTENCIA:

SIEMPRE USE PROTECCIÓN OCULAR A FIN DE EVITAR QUE SALTEN O REBOTEN PIEDRECILLAS O BASURAS A LOS OJOS O LA CARA LO CUAL PUEDE CAUSAR UNA LESIÓN GRAVE.

2. No permita que se use como un juguete. Preste mucha atención cuando la aspiradora está siendo usada junto o cerca de niños.
3. Use solamente como se describe en este manual. Use solamente los accesorios recomendados por el fabricante.
4. No use si el cordón, el enchufe u otras piezas están dañadas. Si su aspiradora no está funcionando en forma debida, le faltan piezas faltantes, se ha dejado caer, se ha dañado, ha quedado a la intemperie o ha caído al agua, llame al servicio a los clientes.
5. Las chispas dentro del motor pueden encender los vapores o el polvo inflamable. A fin de reducir el riesgo de incendio o explosión, no la use cerca de líquidos, gases o polvos inflamables, tal como gasolina u otros combustibles, líquido de encendedores, productos de limpieza, pinturas al aceite, gas natural, polvo de carbón, polvo de magnesio, polvo de aluminio o pólvora.
6. No la tire ni la transporte del cordón, ni use el cordón como un mango, cierre una puerta en el cordón ni pase el cordón alrededor de esquinas o bordes afilados.
7. No la desenchufe tirándola del cordón. Para desenchufarla, sujete el enchufe.
8. No toque el enchufe ni la aspiradora con las manos mojadas.
9. No coloque ningún objeto en los orificios de ventilación. No aspire si alguno de los orificios de ventilación está obstruido; manténgalos sin polvo, pelusas, pelos o cualquier otra cosa que disminuya el flujo del aire.
10. Mantenga el cabello, las ropas sueltas, los dedos y todas las partes del cuerpo alejadas de los orificios y piezas móviles.
11. Apague la aspiradora antes de desenchufarla.
12. Tenga mucho cuidado cuando limpie escaleras.
13. No la utilice para aspirar líquidos inflamables o combustibles tal como gasolina ni la use en áreas donde puedan estar presentes.
14. No aspire nada que esté ardiendo o humeando, tal como cigarrillos, fósforos o cenizas calientes.
15. No la utilice sin tener instalada la bolsa del polvo y/o los filtros.
16. Revise su aspiradora y siga todas las instrucciones de las etiquetas y el marcado.
17. Mantenga el extremo de la manguera, los tubos y otros orificios alejados de su cara y del cuerpo.
18. Siempre desenchufe la aspiradora antes de conectar o desconectar la manguera de aspiración.
19. Guarde la aspiradora al interior. Guarde la aspiradora inmediatamente después de usarla para evitar que tropiecen en ella.
20. Si la utiliza con un voltaje incorrecto puede dañar el motor y causar una posible lesión al usuario. El voltaje correcto está indicado en la placa de clasificación.
21. No utilice la aspiradora para ningún otro propósito que no sea descrito en este manual del usuario.
22. Si la aspiradora se daña, debe ser reparada por el fabricante o su agente de servicio o una persona igualmente calificada a fin de evitar riesgos.
23. No pase la aspiradora sobre el cordón.

24. Mantenga el cordón alejado de las superficies calientes.
25. No la tire ni la transporte del cordón, ni use el cordón como un mango, cierre una puerta en el cordón ni pase el cordón alrededor de esquinas o bordes afilados. Mantenga el cordón alejado de las superficies calientes. No pase la aspiradora sobre el cordón.
26. Use solamente cordones de extensión con capacidad nominal para uso a la intemperie. Los cordones de extensión en mal estado o de calibre demasiado pequeño pueden ocasionar riesgos de incendio y peligros de choques eléctricos. A fin de reducir el riesgo de estos peligros, asegúrese de que el cordón esté en buen estado y que el líquido no entre en contacto con la conexión. No utilice un cordón de extensión con conductores de un calibre inferior a 16 AWG. Para reducir la pérdida de potencia, utilice un cable de extensión de calibre 14 si 25-50 ft / 300-600 in / 7.6-15.24m largo y calibre 12 para 50 ft / 600 in / 15.24m o más.

En caso de cualquier daño del artefacto contacte a un servicio de reparaciones. Las fallas que ocurran debido a uso incorrecto, al incumplimiento de las instrucciones indicadas en el manual del usuario, o a daño causado por reparaciones inadecuadas realizadas por terceros no están cubiertos por la garantía. Esto también es válido para el desgaste de los componentes, tal como el filtro.

GARANTÍA LIMITADA DE 1 AÑO

Nos enorgullecemos de producir un producto durable y de alta calidad. Este producto Kubota tiene una garantía limitada de un (1) año contra defectos de fabricación y materiales, a partir de la fecha de compra y bajo uso doméstico normal. Si el producto se utiliza para fines comerciales, industriales o de alquiler, se aplicará una garantía limitada de 60 días. Esta garantía no es válida para defectos debido a abuso directo o indirecto, negligencia, uso indebido, accidentes, reparaciones o modificaciones y falta de mantenimiento. Por favor conserve su recibo de compra como comprobante.

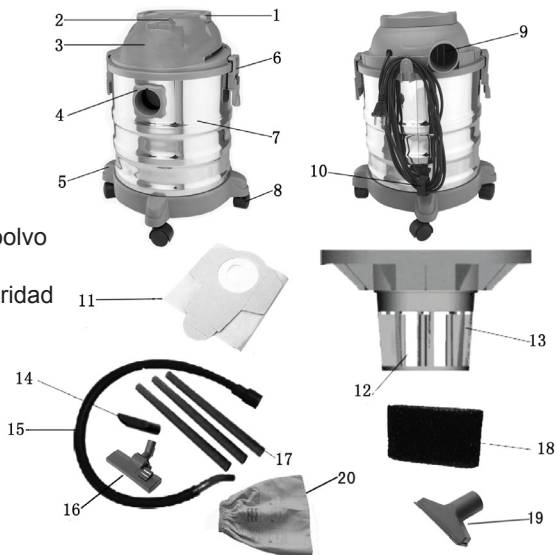
Contacte el Servicio a los Clientes llamando al 1-855-392-0644

USO PREVISTO

Esta aspiradora ha sido diseñada para uso doméstico. Puede ser utilizada para aspiración leve de pisos húmedos o secos. Gracias a su peso liviano se puede utilizar para la mayoría de las tareas pequeñas de aspiración del hogar. Familiarícese con las siguientes características del producto y lea todo el manual del usuario para el uso específico de su nueva aspiradora en seco y húmedo.

COMPONENTES

1. Mango
2. Interruptor de ENCENDIDO/APAGADO
3. Parte superior
4. Agujero de succión
5. Pedestal
6. Cierre
7. Contenedor
8. Ruedecillas
9. Conexión de soplado
10. Gancho para el cordón
11. Bolsa de papel para el polvo
12. Cesta del filtro
13. Válvula flotante de seguridad
14. Boquilla rinconera
15. Manguera
16. Cepillo grande
17. Tubos de plástico
18. Filtro de esponja
19. Cepillo para tapicería
20. Bolsa no tejida



DATOS TÉCNICOS

Voltaje nominal: 120V
 Frecuencia normal: 60Hz
 Potencia nominal: 850W
 Capacidad: 5 galones
 Vacuidad: 13 Kpa
 Modelo: EC815-20L
 Cumple la norma UL STD.1017
 Certificado según CSA STD.C22.2 No.243-10

INSTRUCCIONES SOBRE EL AISLAMIENTO DOBLE

Esta aspiradora en seco y húmedo tiene aislamiento doble, lo cual elimina la necesidad de un sistema de puesta a tierra separado. Utilice solamente piezas de repuesto idénticas. Antes de prestarle servicio lea las instrucciones para aspiradoras en seco y húmedo con aislamiento doble. Utilice esta aspiradora en seco y húmedo como se describe en este manual. Observe las siguientes advertencias que aparecen en la carcasa del motor de su aspiradora en seco y húmedo.



DOBLE AISLAMIENTO – NO SE REQUIERE PUESTA A TIERRA – AL REALIZAR REPARACIONES USE SOLAMENTE PIEZAS DE REPUESTO IDÉNTICAS..

ADVERTENCIA: A FIN DE REDUCIR EL RIESGO DE CHOQUE ELÉCTRICO, NO LA EXPONGA A LA LLUVIA. GUARDAR AL INTERIOR.

ADVERTENCIA: PARA SU PROPIA SEGURIDAD, LEA Y COMPRENDA EL MANUAL DEL USUARIO. NO LA DEJE FUNCIONAR DESATENDIDA. NO ASPIRE CENIZAS CALIENTES, BRASAS, MATERIALES TÓXICOS, INFLAMABLES U OTROS MATERIALES QUE SEAN PELIGROSOS. NO UTILIZAR CERCA DE LÍQUIDOS O VAPORES EXPLOSIVOS.

ATENCIÓN: No aspire polvo de muros secos ni hollín o cenizas de la chimenea con el filtro estándar para aspiración en seco y húmedo. Este es un polvo muy fino que no será capturado por el filtro y puede causar daño al motor. Cuando aspire polvo fino utilice un filtro para polvo fino (vendido separadamente).

ADVERTENCIA:
REPARACIÓN DE ASPIRADORAS EN SECO Y HÚMEDO CON DOBLE AISLAMIENTO

UNA ASPIRADORA EN SECO Y HÚMEDO CON DOBLE AISLAMIENTO TIENE DOS SISTEMAS DE AISLAMIENTO EN VEZ DE LA PUESTA A TIERRA. NO SE INCLUYE PUESTA A TIERRA EN UN ARTEFACTO CON DOBLE AISLAMIENTO, NI TAMPOCO SE DEBE AÑADIR UN MEDIO DE PUESTA A

TIERRA. LA REPARACIÓN DE UNA ASPIRADORA EN SECO Y HÚMEDO CON DOBLE AISLAMIENTO EXIGE MUCHO CUIDADO Y CONOCIMIENTO DEL SISTEMA Y DEBE SER REALIZADO SOLAMENTE POR PERSONAL DE SERVICIO CALIFICADO. LAS PIEZAS DE REPUESTO PARA UNA ASPIRADORA EN SECO Y HÚMEDO CON DOBLE AISLAMIENTO ESTÁN MARCADAS CON LAS PALABRAS 'DOBLE AISLAMIENTO' Y EL SÍMBOLO □ (UN CUADRADO DENTRO DE UN CUADRADO) TAMBIÉN PUEDE ESTAR MARCADO EN EL ARTEFACTO.

- Para reducir el riesgo de choque eléctrico desenchufe la aspiradora antes de limpiarla o repararla.
- NO la utilice sin tener colocados los filtros.

ATENCIÓN: A FIN DE REDUCIR EL RIESGO DE UNA LESIÓN CAUSADA POR LAS PIEZAS MÓVILES, SE RECOMIENDA DESENCHUFAR LA ASPIRADORA ANTES DE REPARLA.

CORDONES DE EXTENSIÓN

Cuando use la aspiradora a una distancia donde sea necesario utilizar un cordón de extensión, se debe usar un cordón de 2 conductores de tamaño adecuado para seguridad y para evitar la pérdida de potencia y sobrecalentamiento. Use la **Tabla A** para determinar el calibre americano (A.W.G.) del cable requerido. Para determinar el amperaje de su aspiradora, consulte la placa de identificación que se encuentra en la carcasa del motor. Antes de usar la aspiradora, inspeccione el cordón para verificar si tiene alambres sueltos o expuestos y si el aislamiento se ha dañado. Haga todas las reparaciones o reemplazos antes de usar la aspiradora. Use solamente cordones de dos hilos para uso al exterior, que tengan enchufes de dos clavijas y tomacorrientes de dos polos que sean compatibles con el enchufe del cordón de extensión. Cuando aspire líquidos, asegúrese que la conexión del cordón de extensión no entre en contacto con el líquido.

NOTA: LAS DESCARGAS ESTÁTICAS SON COMUNES EN LAS ÁREAS SECAS O CUANDO LA HUMEDAD RELATIVA DEL AIRE ES BAJA. ESTO ES SOLO TEMPORAL Y NO AFECTA EL USO DE LA ASPIRADORA. A FIN DE REDUCIR LAS DESCARGAS ESTÁTICAS EN SU HOGAR, LO MEJOR ES AGREGAR HUMEDAD AL AIRE CON UNA CONSOLA O INSTALANDO UN HUMIDIFICADOR.

TABLA A					
Voltaje		Largo Total Del Cordón En Pies			
110V-120V		25	50	100	150
Amperaje		AWG			
Más de	No Más de				
0	— 6	18	16	16	14
7	— 10	18	16	14	12
11	— 12	16	16	14	12
13	— 16	14	12	No Se Recomienda	

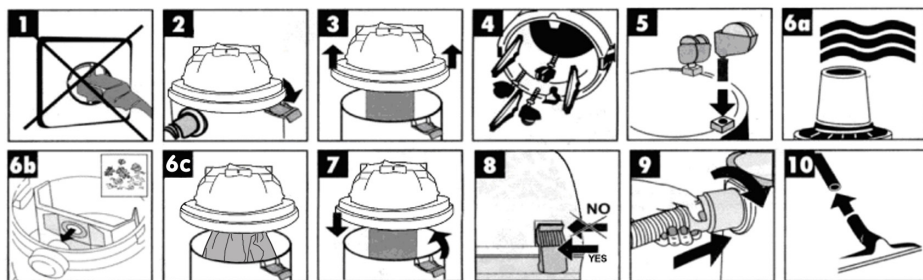
ENCHUFE POLARIZADO

A fin de reducir el riesgo de un choque eléctrico, este artefacto tiene un enchufe doble polarizado (una hoja es más ancha que la otra). Este enchufe calzará en un tomacorriente polarizado de una manera solamente. Si el enchufe no calza bien en el tomacorriente, invierta el enchufe. Si todavía no calza, póngase en contacto con un electricista calificado para instalar un tomacorriente adecuado. No cambie de ninguna manera el enchufe. El aislamiento doble elimina la necesidad de un cordón bifilar con puesta a tierra y de un sistema de suministro de energía puesto a tierra.

VISTA GENERAL DE LAS BOQUILLAS



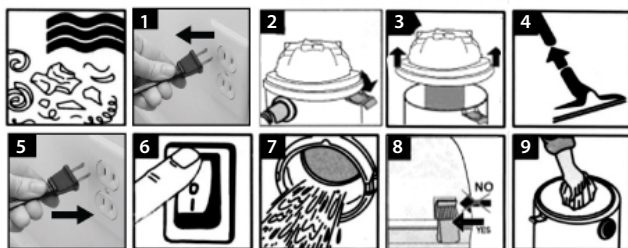
MONTAJE-Preparación de la aspiradora para el ensamblaje



1. Verifique si el codón está desenchufado del tomacorriente.
2. Abra los seguros.
3. Levante el cabezal del tambor del polvo.
4. Extraiga el contenido del tanque.
5. Inserte el vástago de la rueda en el casquillo del porta accesorio, como se muestra. Empuje la rueda hasta que la bola en el vástago de la rueda quede completamente insertada en el casquillo. Coloque el tambor del polvo en posición vertical.
6. **a. Para aspiración en húmedo:** Coloque el filtro de esponja provisto sobre la cesta del filtro.
b. Para aspiración en seco: Inserte la bolsa de papel para el polvo en el agujero de succión.
c. Para aspiración en seco: Coloque la bolsa no tejida provista sobre la cesta del filtro para aspiración en seco.
7. Coloque el conjunto del cabezal motriz sobre el tambor del polvo. Asegúrese de que cubra por completo la parte superior del tambor del polvo a fin de que no haya fugas. Para retirar el cabezal motriz, invierta estas instrucciones.
8. Baje los seguros para bloquear el conjunto.
9. Inserte el extremo más grande de la manguera en el orificio de aspiración. Gire el conector de la manguera.
10. Inserte el tubo en el cepillo para pisos/cepillo para tapicería y ya está lista para usar.

ADVERTENCIA: SIEMPRE DESCONECTE EL ENCHUFE DEL TOAMCORRIENTE MURL ANTES DE RETIRAR LA TAPA DEL TANQUE.

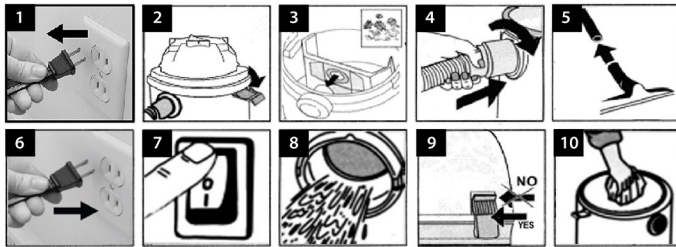
ASPIRACIÓN EN HÚMEDO



1. Verifique que el cordón esté desenchufado del tomacorriente.
2. Afloje los seguros de retención.
3. Coloque el filtro de esponja provisto sobre la cesta filtrante para limpieza por aspiración en húmedo, después baje los clips de la tapa para bloquearla.
4. Inserte la manguera de succión en el agujero situado en el lado del tanque, gire el conector de la manguera, e inserte el tubo en el cepillo para pisos.
5. Inserte el enchufe en el tomacorriente.
6. Oprima el botón del interruptor y la aspiradora comenzará a trabajar.
7. Mientras está en uso observará que el depósito está lleno lo que disminuye en forma significativa la potencia de succión; retire el enchufe del tomacorriente eléctrico y limpie el tambor.
8. Abra los dos seguros de retención.
9. Retire el cabezal motriz del tambor del polvo y retire el filtro.

ADVERTENCIA: SIEMPRE DESCONECTE EL ENCHUFE DEL TOMACORRIENTE MURL ANTES DE RETIRAR LA TAPA DEL TANQUE.

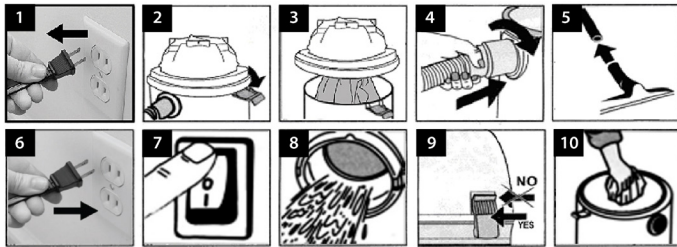
ASPIRACIÓN EN SECO-BOLSA DE PAPEL PARA EL POLVO



1. Verifique si el codón está desenchufado del tomacorriente.
2. Afloje los ganchos de retención.
3. Coloque la bolsa de papel para el polvo provista en el orificio de succión para limpieza por aspiración en seco.
4. Inserte la manguera de succión en el agujero situado en el lado del tanque. Gire el conector de la manguera.
5. Inserte el tubo en el cepillo para pisos y apriete los seguros de retención de la tapa.
6. Inserte el enchufe en el tomacorriente.
7. Oprima el botón del interruptor y la aspiradora comenzará a trabajar.
8. Mientras está en uso observará que el depósito está lleno lo que disminuye en forma significativa la potencia de succión; retire el enchufe del tomacorriente eléctrico y limpie el tambor.
9. Abra los dos seguros de retención.
10. Retire el cabezal motriz del tambor del polvo y retire el filtro.

ADVERTENCIA: SIEMPRE DESCONECTE EL ENCHUFE DEL TOMACORRIENTE MURL ANTES DE RETIRAR LA TAPA DEL TANQUE.

ASPIRACIÓN EN SECO-BOLSA NO TEJIDA



1. Verifique si el codón está desenchufado del tomacorriente.
2. Afloje los ganchos de retención.
3. Coloque la bolsa no tejida en la cesta filtrante para limpieza por aspiración en seco; enseguida apriete los seguros de retención de la tapa.
4. Inserte la manguera de succión en el agujero situado en el lado del tanque. Gire el conector de la manguera.
5. Inserte el tubo en el cepillo para pisos y apriete los seguros de retención de la tapa.
6. Inserte el enchufe en el tomacorriente.
7. Oprima el botón del interruptor y la aspiradora comenzará a trabajar.
8. Mientras está en uso observará que el depósito está lleno lo que disminuye en forma significativa la potencia de succión; retire el enchufe del tomacorriente eléctrico y limpie el tambor.
9. Abra los dos seguros de retención.
10. Retire el cabezal motriz del tambor del polvo y retire el filtro.

ADVERTENCIA: SIEMPRE DESCONECTE EL ENCHUFE DEL TOAMCORRIENTE MURL ANTES DE RETIRAR LA TAPA DEL TANQUE.

SOPLADO



Esta aspiradora en seco y húmedo puede ser usada como una sopladora. Para utilizar la característica de soplado siga las instrucciones indicadas a continuación.

1. Verifique que el cordón esté desenchufado del tomacorriente.
2. Asegúrese de que el tanque esté vacío antes de usar como una sopladora. Retire la manguera del orificio de aspiración.
3. Inserte el extremo grande de la manguera en el orificio de soplado situado en la parte trasera del cabezal y asegúrelo en su lugar. Instale el tubo de extensión y/o boquilla que desee en la manguera de la aspiradora.
4. Verifique que el interruptor esté en la posición 'O' APAGADO antes de enchufar el cordón en el tomacorriente.
5. Inserte el enchufe en el tomacorriente.
6. Antes de encender la aspiradora, sostenga firmemente el extremo suelto de la manguera. Encienda el motor colocando el interruptor en la posición 'I' ENCENDIDO.

ADVERTENCIA: ANTES DE USAR LA CARACTERÍSTICA DE SOPLADO, SIEMPRE USE GAFAS DE SEGURIDAD QUE CUMPLAN LA NORMA ANSI Z87.1 (O EN CANADÁ, LA NORMA CSAZ94.3).

ADVERTENCIA: MANTENGA A LOS ESPECTADORES ALEJADOS DE LOS ESCOMBROS.

ADVERTENCIA: USE UNA MÁSCARA ANTIPOLVO SI EL SOPLADO CREA POLVO QUE PUEDE SER INHALADO.

MANTENIMIENTO

1. Limpieza del filtro: El filtro debe limpiarse a menudo a fin de mantener un óptimo rendimiento de la aspiradora. Deje secar el filtro antes de guardarlo o antes de usarlo para aspiración residuos secos.

2. Limpieza del filtro de aspiración en seco: Se puede sacar parte de los residuos secos del filtro sin extraerlo de la aspiradora. Para mejores resultados de la limpieza debido al polvo acumulado, limpie el filtro en un área abierta. Limpie el filtro al aire libre y no dentro del hogar. Después de sacar el filtro de la aspiradora, retire los residuos secos golpeando con cuidado el filtro contra la pared interior del tambor del polvo. La suciedad se aflojará y caerá. Para una buena limpieza del filtro de aspiración en seco que tenga polvo fino (no residuos), deje correr agua a través de él, como se describe en la sección "Limpieza de un filtro de aspiración en húmedo"

3. Limpieza de un filtro de aspiración en húmedo: Después de haber extraído el filtro, lávelo con agua de una manguera. Tenga cuidado de que la presión del agua no sea tan fuerte que vaya a dañar el filtro.

4. Reinstalación del filtro: Espere a que el filtro se seque antes de volver a instalarlo y guarde la aspiradora o la utilice para aspirar residuos secos.

LIMPIEZA

1. Para mantener el aspecto de su aspiradora en seco y húmedo impecable, limpie el exterior con un paño humedecido con agua tibia y jabón suave.

2. Limpieza del tambor:

a. Extraiga la suciedad interior

b. Lave bien el tambor con agua tibia y jabón suave

c. Séquelo con un paño seco

RESOLUCIÓN DE PROBLEMAS

ADVERTENCIA: A FIN DE REDUCIR EL RIESGO DE CHOQUE ELÉCTRICO- DESENCHUFE ANTES DE LA REPARACIÓN.

SÍNTOMA	CAUSAS POSIBLES	SOLUCIÓN
La aspiradora no funciona	No hay suministro de energía.	Verifique la fuente de energía: cordón, disyuntores, fusibles.
	Cordón eléctrico dañado.	Desenchufe y verifique el cordón. Si está dañado, hágalo reparar por un profesional.
	Tanque lleno.	Vacíe el tanque.
Sale polvo por la tapa del motor.	El filtro de tela reusable no está instalado o está dañado.	Instale o reemplace el filtro de tela reusable.
Eficiencia reducida y vibración del motor /velocidad	Hay bloqueo en la boquilla, manguera o en los orificios de aspiración. O el filtro de tela reusable está bloqueado con polvo fino.	Revise la boquilla, manguera y los orificios de aspiración para verificar si están bloqueados. Retire el filtro y límpielo. O instale un filtro nuevo.



Questions, problems, missing parts? Before returning to the store,
Call Trademark Industries Customer Service
8a.m. – 6p.m., EST, Monday to Friday **1-855-392-0644**

Questions, problems, pieces manquantes? Avant de retourner au magasin,
Appelez le Service clientele de Trademark Industries
entre 8h et 18h, Heure de l'Est, du lundi au vendredi **1-855-392-0644**

¿Preguntas, problemas, piezas faltantes? Antes de regresar a la tienda,
llame al Servicio a los Clientes de Trademark Industries
entre las 8:00 a.m. – 6:00p.m., Hora del Este, de lunes a viernes, **1-855-392-0644**

Imported by/Importé par/Importado por
Trademark Industries Inc.

380 Markland Street
Markham, ON L6C 1T6
905.532.0442
www.trademarkindustriesinc.com